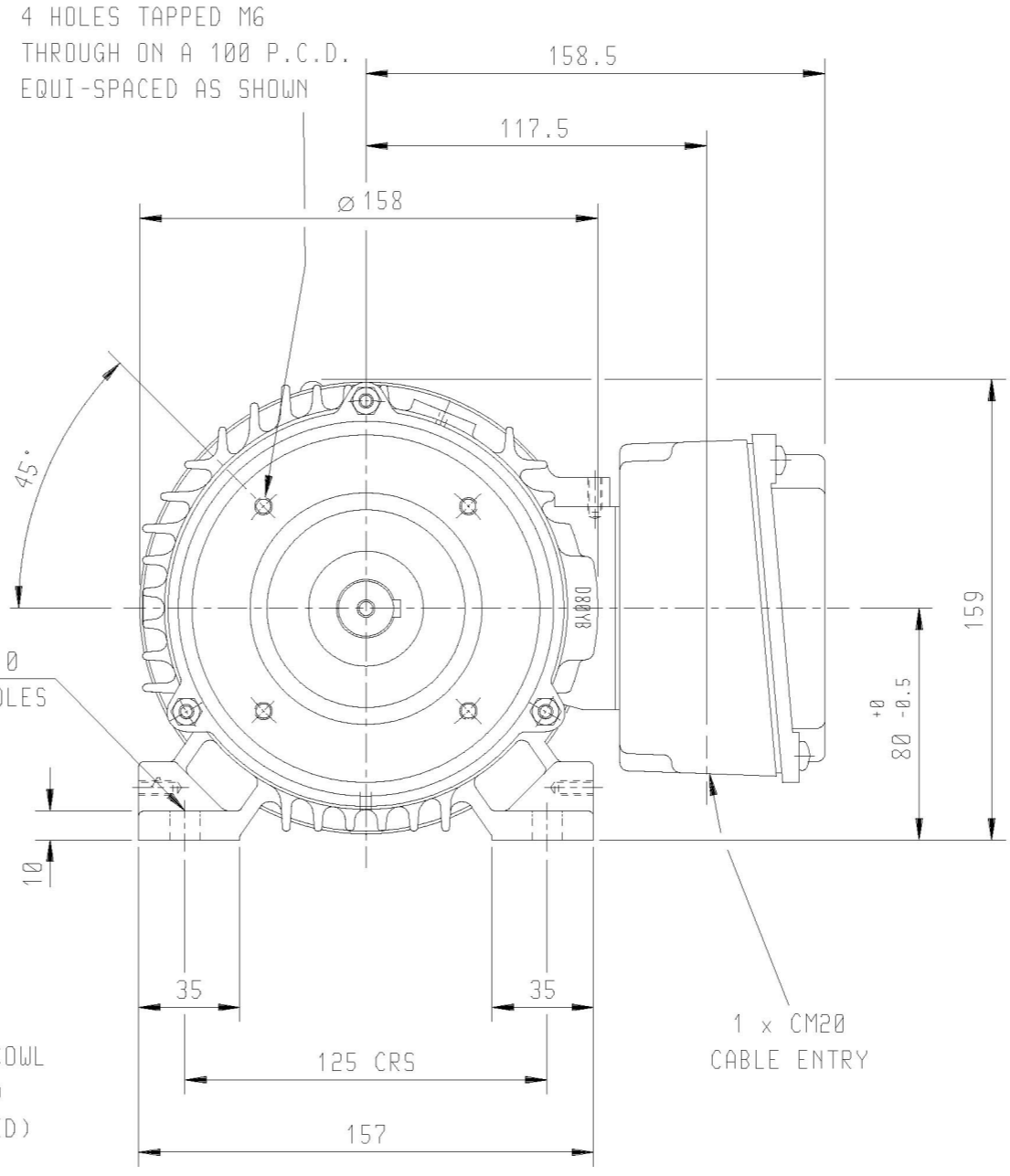
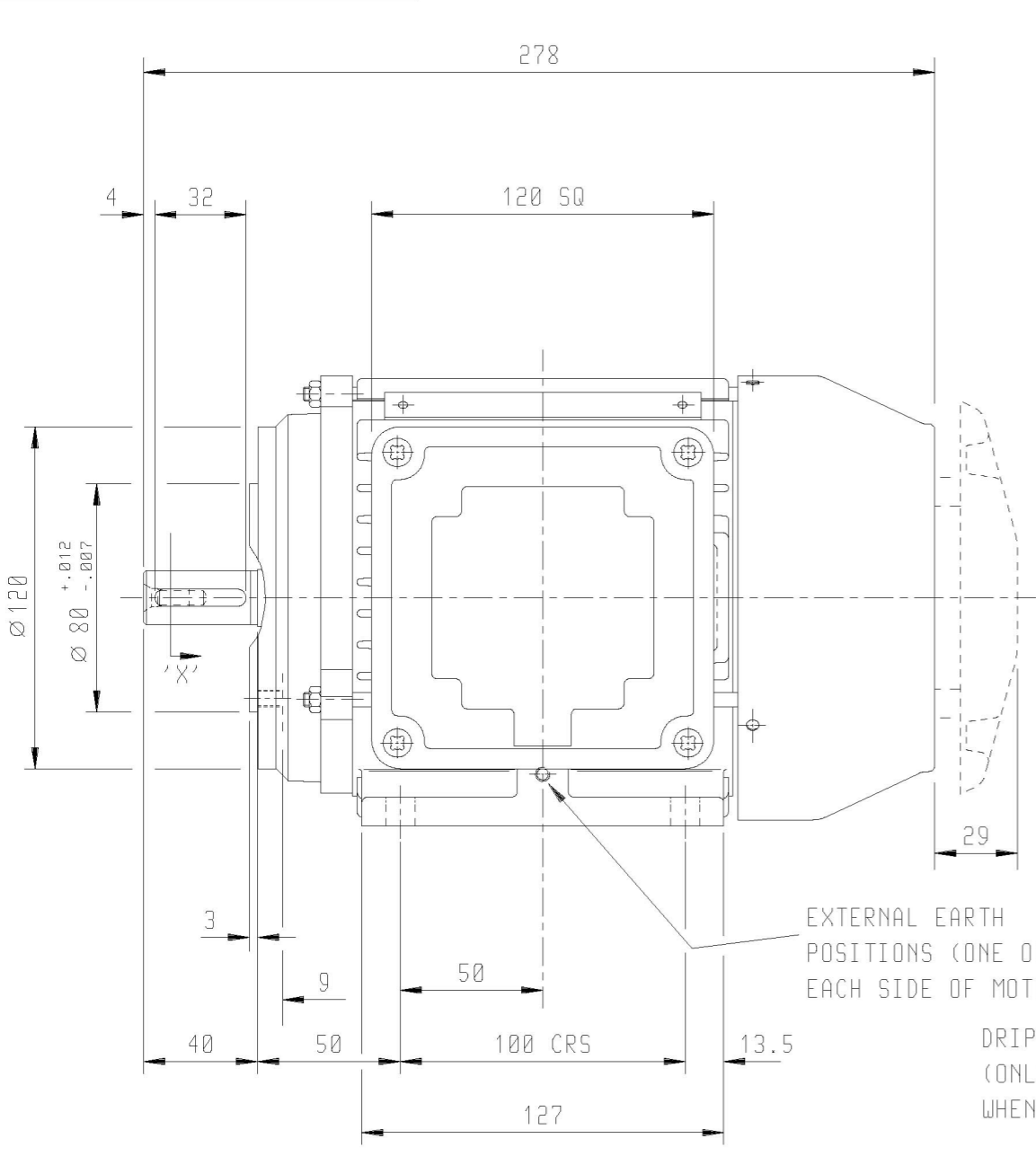
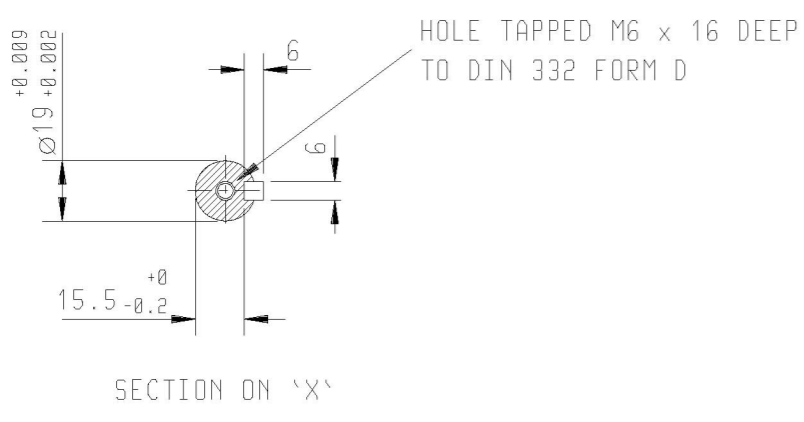


CUSTOMER		
ORDER No.		
PART No.		
OUR ORDER No.		
FRAME SIZE		
KW.	RPM.	
Hz	PHASE	
VOLTS	POLES	
BRGS.	DE.	NDE.
MOTOR NETT WT.		Kg.
SPECIAL REMARKS		



4 HOLES TAPPED M6 THROUGH ON A 100 P.C.D. EQUI-SPACED AS SHOWN

EXTERNAL EARTH POSITIONS (ONE ON EACH SIDE OF MOTOR)
 DRIP PROOF COWL (ONLY FITTED WHEN REQUIRED)



STANDARD TERMINAL BOX POSITION IS 3 O'CLOCK AS SHOWN
 CONDUIT ENTRIES:- TERMINAL BOX CAN BE ROTATED AT 90° INTERVALS
 (CONDUIT ENTRY POSITION SHOWN FOR ILLUSTRATION ONLY)

ALL DIMENSIONS IN MILLIMETRES
 FIRST ANGLE PROJECTION

BROOK CROMPTON

SHEET SIZE A3	TITLE	DRG. No.		
	OUTLINE DIMENSION DRAWING NEW DESIGN CAST-IRON TOTALLY ENCLOSED FAN COOLED 80 FRAME 'C' FACE & FEET MOUNTED MOTOR	DRG. REF.		
		REVISION:	DATE	
			NAME	DATE
			DRAWN	
			CHECKED	
		SCALE	1:2.5	